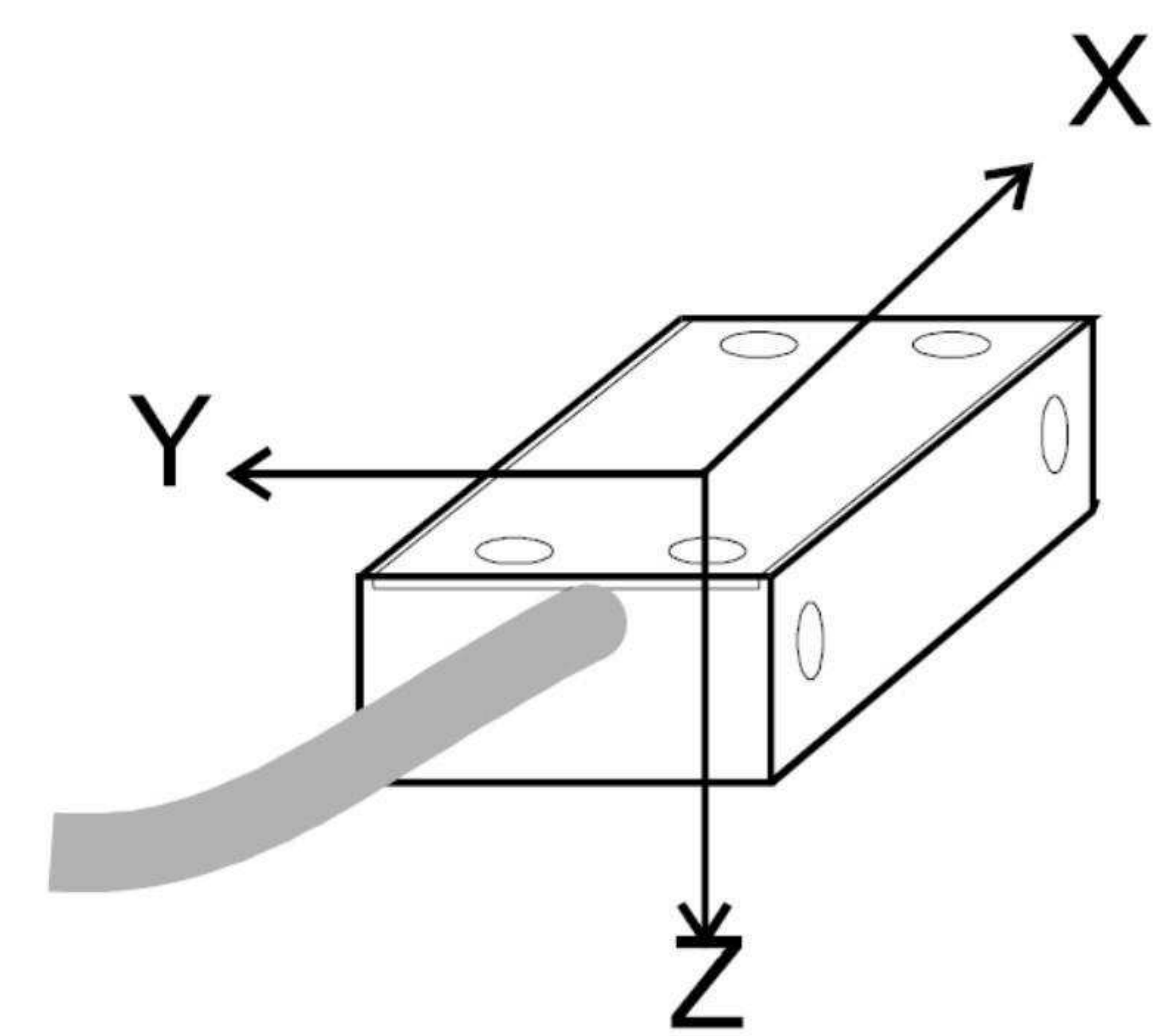
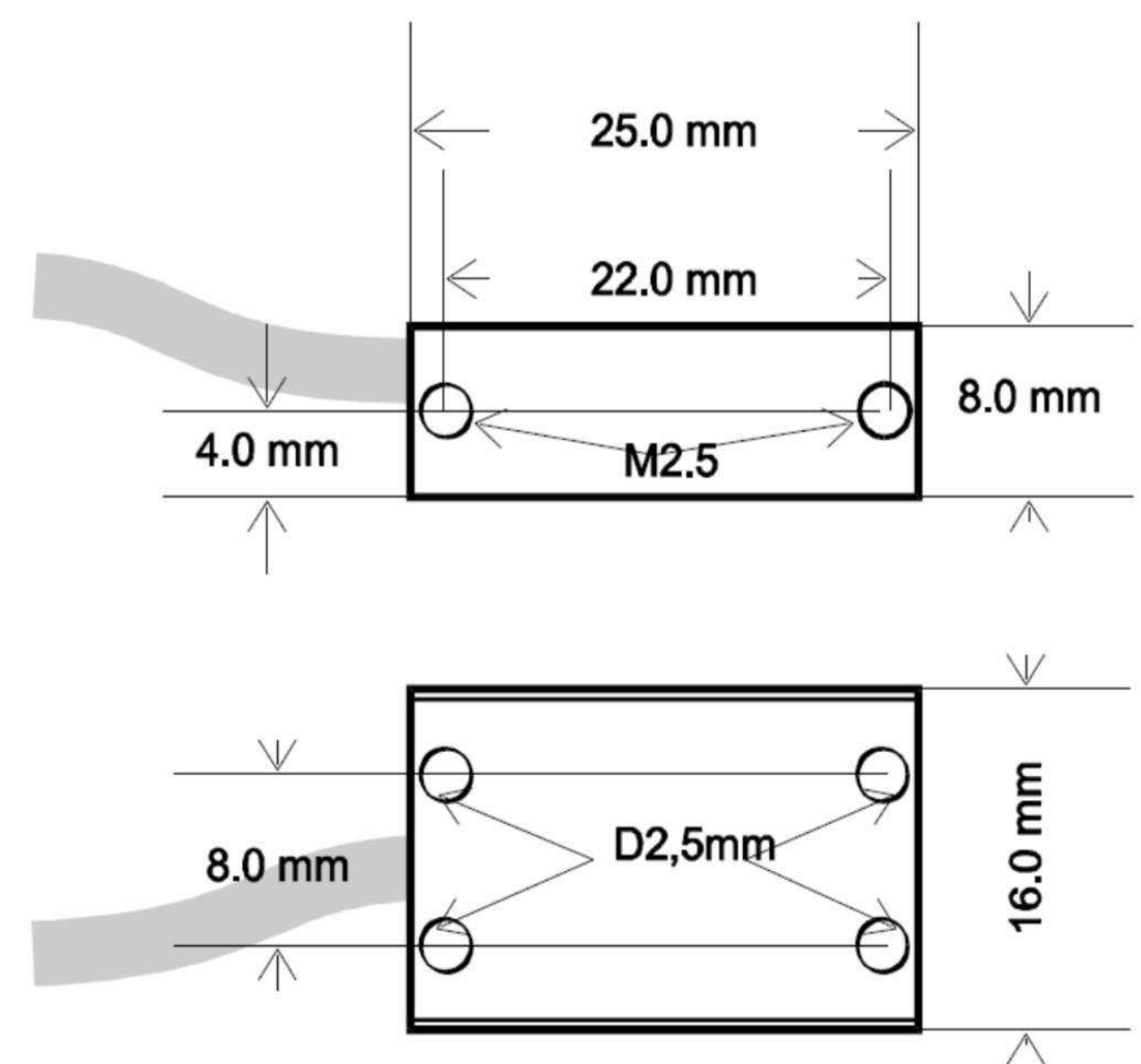


AC-CAP-3 Analog 1,2 or 3 axis Accelerometer

Range	5 G, 10 G, 15G, 20G
Accuracy	1%
Sensitivity	400 to 100 ± 2%
Cut off frequency	100 Hz
Supply voltage	5 to 16V
Supply current	< 3 mA
Output voltage	0 – 5 V
Output impedance	68 ohms
Signal at 0G	2.5 ± 0.05 V
Resonance	5000Hz
Cross axis sensitivity	2.5 % (X,Y), 3 % (Z)
Offset drift (20 to 80°C)	± 30 mV
Gain drift (20 to 80°C)	± 2.5 %
Dimension	25x16x8 mm
Material	Aluminium
Weight	15g
Protection	IP66
Shock	1000G
Operating Temperature	-20 to +100 °C
Storage Temperature	-40 to +125 °C



Ordering ref ex: AC-CAP3-XB-YB-ZC
AC-CAP3-XRange-YRange-ZRange

Range				
B	C	D	E	N
±5G	±10G	±15G	±20G	Not wired

Connections

1 m cable of AWG26 tinned copper isolation FEP
Black FEP isolation 250V-200°C
50 mm sleeve of DR25-TW-1/8-0-SP

Red	+ 5 to 16V
Black	0V
Braid	Not connected
White	X axis analog output
Green	Y axis analog output
Yellow	Z axis analog output